



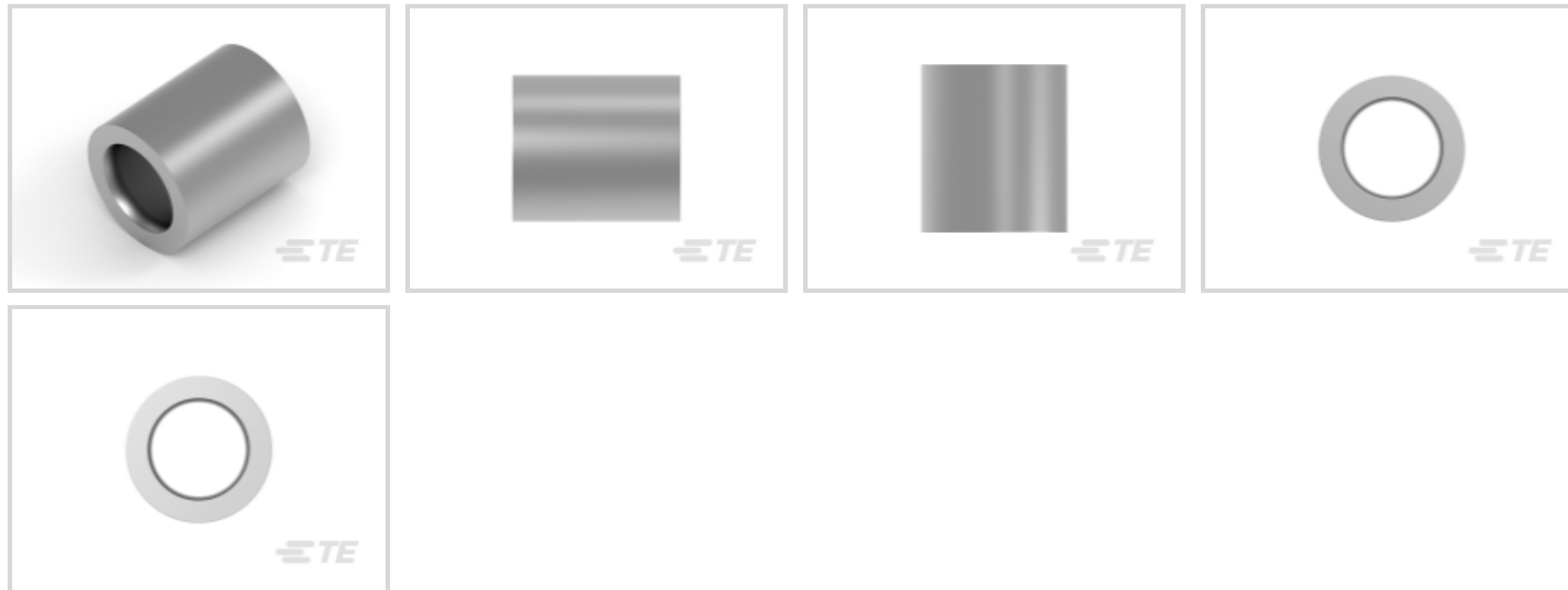
**SOLISTRAND**

TE Internal #: 34320

Splices, 4 AWG Wire Size, 21 mm<sup>2</sup> Wire Size, Standard, .296 in [7.52 mm] Barrel Inside Diameter, 33100 – 52600 CMA Wire Size, Copper

[View on TE.com >](#)

Terminals & Splices > Splices



Wire Size: 21 mm<sup>2</sup>

Sealable: No

Splice Features: **Standard**

Barrel Inside Diameter: 7.52 mm [ .296 in ]

**Features**

**Product Type Features**

Splice Accessory Type	Splice
Sealable	No
Splice Type	Parallel Splice
Serrated	Yes
Compatible With Discrete Wire Type	Solid, Stranded
Wire Insulation Support Retention Type	Non-Insulation Support

**Configuration Features**

Compatible With Wire & Cable Type	Discrete Wire
-----------------------------------	---------------

**Body Features**

Plating Material	Tin
Splice Features	Standard
Primary Product Material	Copper

**Contact Features**

	100 μin
Contact Plating Material	Tin



Barrel Type	Closed
-------------	--------

### Mechanical Attachment

Wire Insulation Support	Without
-------------------------	---------

### Dimensions

Outside Diameter	11.76 mm[.463 in]
------------------	-------------------

Wire Size	33100 – 52600 CMA
-----------	-------------------

Barrel Inside Diameter	7.52 mm[.296 in]
------------------------	------------------

Terminal Material Thickness	1.85 mm[.073 in]
-----------------------------	------------------

Overall Product Length	13.49 mm[.531 in]
------------------------	-------------------

### Usage Conditions

Insulation Option	Uninsulated
-------------------	-------------

Operating Temperature Range	170 °C[338 °F]
-----------------------------	----------------

### Operation/Application

Heavy Duty	No
------------	----

Compatible With Wire Base Material	Copper
------------------------------------	--------

### Industry Standards

Government Qualified Splice	No
-----------------------------	----

### Packaging Features

Packaging Method	Loose Piece
------------------	-------------

### Other

Military Category	No
-------------------	----

## Product Compliance

[For compliance documentation, visit the product page on TE.com>](#)

EU RoHS Directive 2011/65/EU	Compliant
------------------------------	-----------

EU ELV Directive 2000/53/EC	Compliant
-----------------------------	-----------

China RoHS 2 Directive MIIT Order No 32, 2016	No Restricted Materials Above Threshold
---	---

EU REACH Regulation (EC) No. 1907/2006	Current ECHA Candidate List: JUNE 2022 (224) Candidate List Declared Against: JUNE 2022 (224) Does not contain REACH SVHC
--	---

Halogen Content	Low Halogen - Br, Cl, F, I < 900 ppm per homogenous material. Also BFR/CFR/PVC
-----------------	--

Free

Solder Process Capability

Not applicable for solder process capability

Product Compliance Disclaimer

This information is provided based on reasonable inquiry of our suppliers and represents our current actual knowledge based on the information they provided. This information is subject to change. The part numbers that TE has identified as EU RoHS compliant have a maximum concentration of 0.1% by weight in homogenous materials for lead, hexavalent chromium, mercury, PBB, PBDE, DBP, BBP, DEHP, DIBP, and 0.01% for cadmium, or qualify for an exemption to these limits as defined in the Annexes of Directive 2011/65/EU (RoHS2). Finished electrical and electronic equipment products will be CE marked as required by Directive 2011/65/EU. Components may not be CE marked. Additionally, the part numbers that TE has identified as EU ELV compliant have a maximum concentration of 0.1% by weight in homogenous materials for lead, hexavalent chromium, and mercury, and 0.01% for cadmium, or qualify for an exemption to these limits as defined in the Annexes of Directive 2000/53/EC (ELV). Regarding the REACH Regulation, the information TE provides on SVHC in articles for this part number is based on the latest European Chemicals Agency (ECHA) 'Guidance on requirements for substances in articles' posted at this URL: <https://echa.europa.eu/guidance-documents/guidance-on-reach>

### Compatible Parts



TE Part # 1490414-2  
HYP10 SOLIS HD 6-4AWG INDENTER



TE Part # 601075  
BANTAM ROTA-CRIMP TOOL



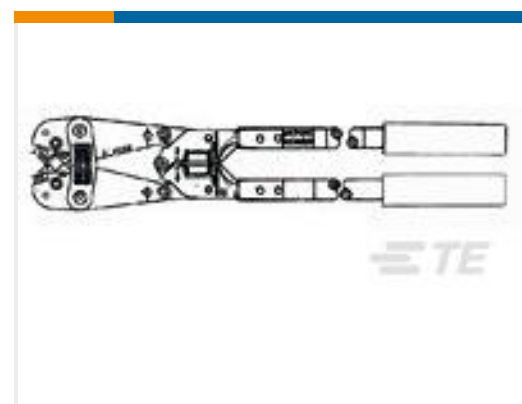
TE Part # 1490413-3  
HYP10 SOLIS 4AWG NEST



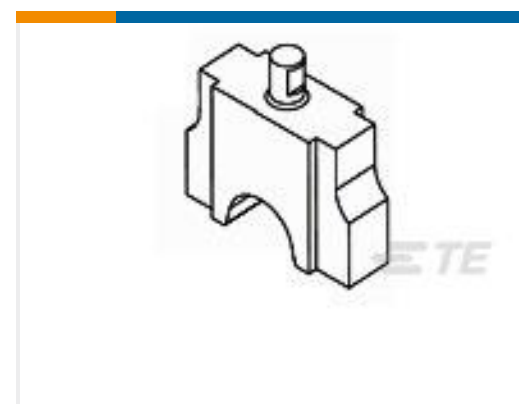
TE Part # 48127  
HYP8 SOLIS 6-2AWG INDENTER



TE Part # 69218  
HYP8/10 SOLIS 4AWG DIE SET



TE Part # 600850  
ROTO-CRIMP TOOL (ASI)



TE Part # 1901000-2  
NEST #4



TE Part # 34320-1  
SOLIS, PARA 4 60/40 SN-PB



TE Part # 48129  
HYP8 SOLIS 4AWG NEST

### Documents

**Product Drawings**  
SPLICE,SOLIS PARA 4



English

---

**CAD Files**

**Customer View Model**

[ENG\\_CVM\\_CVM\\_34320\\_R.2d\\_dxf.zip](#)

English

**3D PDF**

3D

**Customer View Model**

[ENG\\_CVM\\_CVM\\_34320\\_R.3d\\_igs.zip](#)

English

**Customer View Model**

[ENG\\_CVM\\_CVM\\_34320\\_R.3d\\_stp.zip](#)

English

By downloading the CAD file I accept and agree to the [Terms and Conditions](#) of use.

---

**Datasheets & Catalog Pages**

[SOLISTRAND - QRG](#)

English

---

**Product Environmental Compliance**

[MD\\_34320\\_120820132020\\_dmtec](#)

English

[MD\\_34320\\_120820132020\\_dmtec](#)

English

---

**Agency Approvals**

[UL Report](#)

English

[UL Report](#)

English